件 : SU-01-19-A-07-A52A: 01: 2018.11.02

1 共 3

:

- Data rates up to 2.5 Gb/s
- 850nm multimode emission
- Low threshold and operation current

:

- Digital Optical Communication

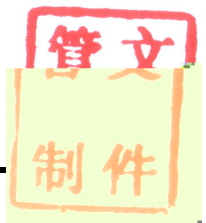
:

Absolute Maximum Ratings:

Parameter	Symbol	Min.	Max.	Unit
Reverse Voltage	V_R	—	5	V
Forward Current	I_F	—	12	mA
Optical Output Power	P_{out}	—	2.2	mW
MPD reverse voltage	V_r	20	—	V
MPD forward current	I_{f1}	—	10	mA
Operating Temperature	T_{op}	-5	+70	°C
Storage Temperature	T_{stg}	-40	+85	°C
Lead Solder Temperature	—	—	260	°C
Lead Solder Time	—	—	10	s

Characteristics: ($T_a=25^\circ\text{C}$ unless otherwise noted)

Parameter	Symbol	Test Conditions	Min.	Typ.	Max.	Unit
Threshold Current	I_{th}	$T=25^\circ\text{C}$	0.5	1.0	1.4	mA
Optical Output Power	P_{out}	$I_{op} = 6.0\text{mA}$	0.8	1.2	—	mW
Emission Wavelength	λ	$I_{op} = 6.0\text{mA}$	830	850	860	nm
Spectral Bandwidth, RMS	$\Delta\lambda$	$I_{op} = 6.0\text{mA}$	—	—	0.65	nm
Slope Efficiency	η	$I_{op} = 6.0\text{mA}$	0.17	0.23	—	W/A
Differential resistance	R_d	$I_{op} = 6.0\text{mA}$	—	50	—	Ω
3dB modulation bandwidth	V_{3dB}	$I_{op} = 6.0\text{mA}$	3	—	—	GHz
Rise Time	t_r	$I_{op} = 6.0\text{mA},$	—	70	80	ps
Fall Time	t_f	20-80%	—	70	80	ps



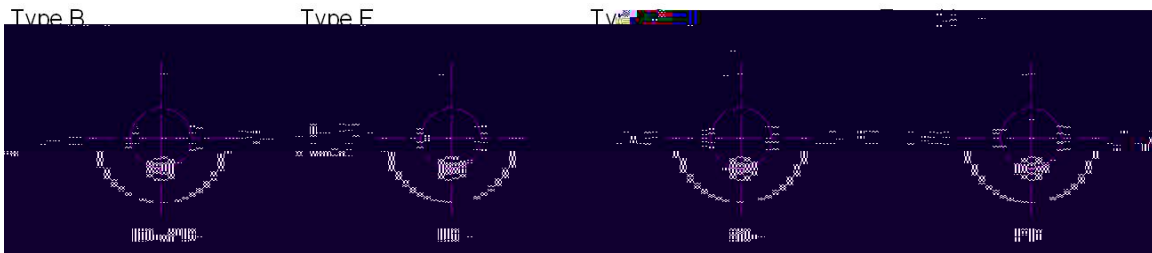
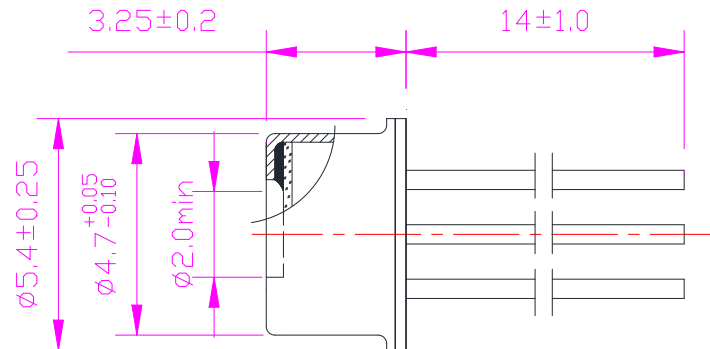
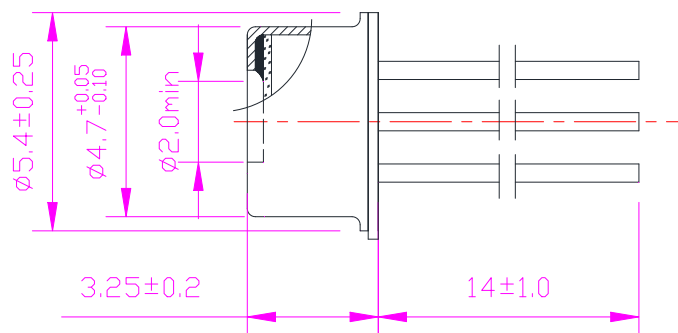
件 : SU-01-19-A-07-A52A

: 01

: 2018.11.02

2 / 3

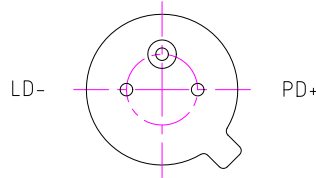
Monitor Current(MPD)	Im	Iop = 6.0mA, VR=3V	150	—	—	μA
Dark Current(MPD)	Id	Poc=0mW, VR=3V	—	—	20	nA

LD 850nm VCSEL 2.5G-TO46-4pin-FW:

LD 850nm VCSEL 2.5G-TO46-3pin-FW:




Type

LD+/PD-/CASE



BOTTOM VIEW

Statement:

SAN-U owns the authority for final explanation of all information contained in this document, which is subject to change without notice. All the information was obtained in particular environments; and SAN-U will not be responsible for the performance of the customers' actual operating environments. All information contained is only for the users' reference and shall not be considered as warranted characteristics. SAN-U will not be liable for damages arising directly or indirectly which from any use of the information contained in this document.

Contact Information:

Address: N501-505 Weiye Bldg., Xiamen Pioneering Park For Overseas Chinese Scholars, Xiamen, Fujian, China

Tel: +86-592-3898601, 3898608, 5318000

Fax: +86-592-5703588

Email: sales@san-u.com

<http://www.san-u.com>

p

D

□