



- Data rates up to 25 Gbps.
 - Single +3.3V Power Supply.
 - -40°C to 85°C Operation.
 - Differential Output.
 - Received signal strength indicator(RSSI).
 - InGaAs PIN Detector and TIA inside.
 - With 1KΩ resistance
-
- High speed Telecom and Datacom.

Parameter	Symbol	Min	Max.	Unit
Optical Input Power	P_{in}	—	5	dBm
Operating Temperature	T_{op}	-40	85	°C
Storage Temperature	T_{stg}	-40	85	°C
Lead Solder Temperature	—	—	260	°C
Lead Soldering Time	—	—	10	s

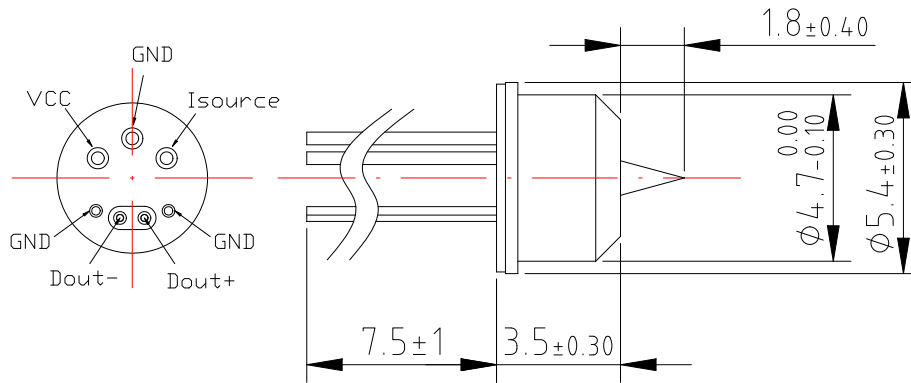
Specifications (T=25°C, unless otherwise noted)

Parameter	Symbol	Test Conditions	Min.	Typ.	Max.	Unit
Supply Voltage	V_{cc}	—	2.97	3.3	3.63	V
Supply Current	I_{cc}	$V_{cc}=3.3V$	—	26	33	mA
Operating Wavelength	λ_c	$V_{cc}=3.3V$	1260	—	1600	nm
RSSI Offset Current	I_d	$V_{cc}=3.3V$	—	—	100	nA
Bandwidth	BW	-3dB	—	21	—	GHz
Overload	OL	$V_{cc}=3.3V$	2.2	—	—	dBm
Sensitivity	Sen	25.78Gbps,PRBS31, 1310nm,ER=4dB, BER=10E-5	—	—	-14	dBm
Responsivity	Res	1310nm	0.7	—	—	A/W
Optical Return Loss	ORL	1310nm	—	—	-27	dB

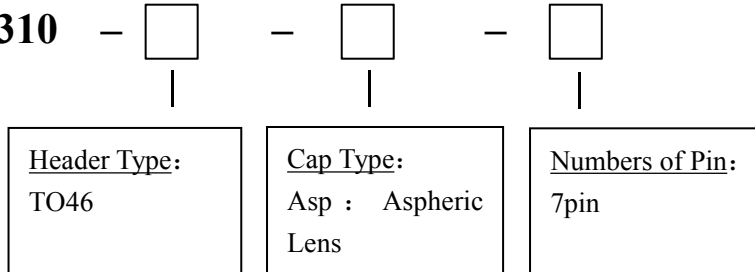


Key Materials:

Materials	Part Number
PIN PD	0001020226
TIA	0000090126



PT25G 1310



Statement:

SAN-U owns the authority for final explanation of all information contained in this document, which is subject to change without notice. All the information was obtained in particular environments; and SAN-U will not be responsible for the performance of the customers' actual operating environments. All information contained is only for the users' reference and shall not be considered as warranted characteristics. SAN-U will not be liable for damages arising directly or indirectly which from any use of the information contained in this document.

Contact Information:

Address: N501-505 Weiye Bldg., Xiamen Pioneering Park For Overseas Chinese Scholars, Xiamen,



厦门三优光电股份有限公司

XIAMEN SAN-U OPTRONICS CO., LTD.

文件编号: SU-01-19-A-07-A89J

版本: 01

实施日期: 2018.11.13

第 3 页 共 3 页

Fujian, China

Tel: +86-592-3898601, 3898608, 5318000

Fax: +86-592-5703588

Email: sales@san-u.com

<http://www.san-u.com>