



PD80-TO25-FW-2pin Series

Features:

L O
L C H PIN
L D C
E

Applications:

D A O C
O LAN
O D

Specifications:

A M :

		M .	M .	
		—	20	
F C	I _F	—	10	A
M . O I P	P _{MA}	—	10	
O		-40	+85	°C
		-40	+85	°C
L	—	—	260	°C
L	—	—	10	

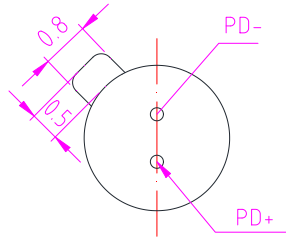
C : (=25°C)

		C	M .	.	M .	
A D	D	—	—	80	—	
B	B	P = -10 B , , =5	—	2.0	—	GH
	@1310	=5	0.8	0.9	—	A/
	@1550	=5	0.9	0.95	—	A/
D C	ID	=5	—	0.03	0.16	A
C C	C	=5 , =1MH	—	0.65	0.8	F
O		—	1100	—	1650	
O		—	—	-5	—	

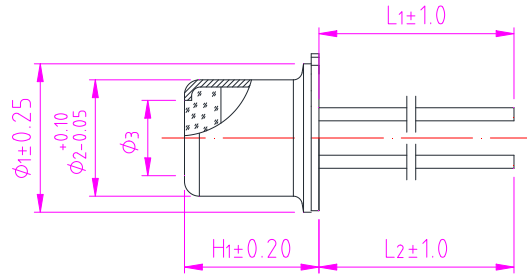


Mechanical Dimension and Pin Assignment:

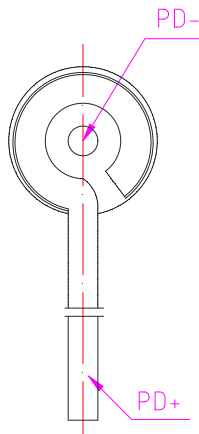
A



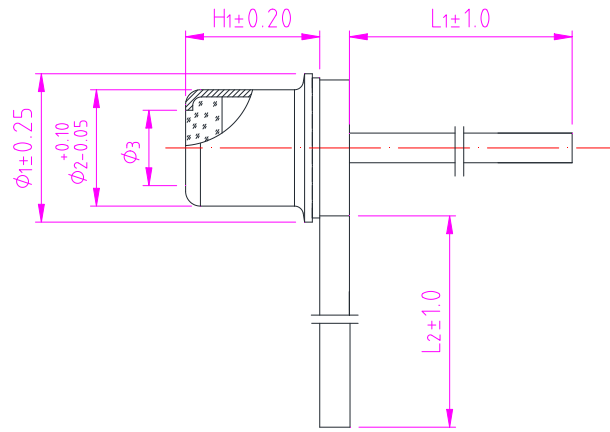
Bottom View



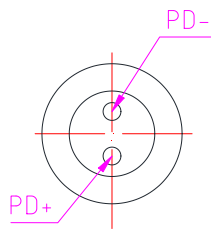
B



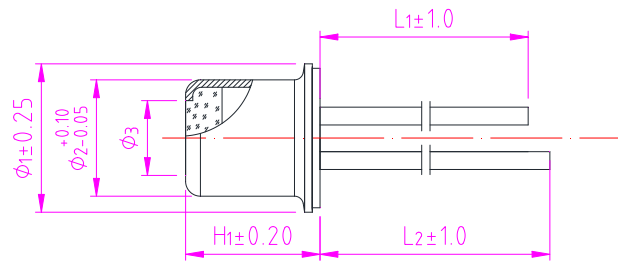
Bottom View



C



Bottom View





Standard Product List:

P	Φ_1 ()	Φ_2 ()	Φ_3 ()	H_1 ()	L_1 ()	L_2 ()	
PD80- O25-F -2 -A	2.5	1.96	1.27	2.26	12.7	12.7	P & D
PD80- O25-F -2 -B	2.5	1.96	1.27	2.26	14.0	14.0	
PD80- O25-F -2 -C	2.5	1.96	1.27	2.26	15.52	17.52	



Order Information:

D80



<u>H</u> _____:
O25

<u>C</u> _____:
F : F

<u>N</u> _____ <u>P</u> _____:
2

<u>P</u> <u>A</u> _____:
A: A
B: B
C: C

AN- :
 . A ;
 AN- . A
 . AN-

C I :

A : N501-505 B , P P F O C , ,
 F , C
 : +86-592-3898601, 3898608, 5318000
 F : +86-592-5703588
 E : @ - .
 :// . - .