



TOSA-LC 10Gb 850

Features:

- Data rates up to 10 Gbps
- 850nm multimode emission
- -10°C to +85°C operation
- High reliability
- Integrated monitor photodiode (MPD).
- Differentially driven
- LC plastic barrel

Applications:

- High speed Data Communication
- 10Gigabit Ethernet

Specifications:

Absolute Maximum Ratings

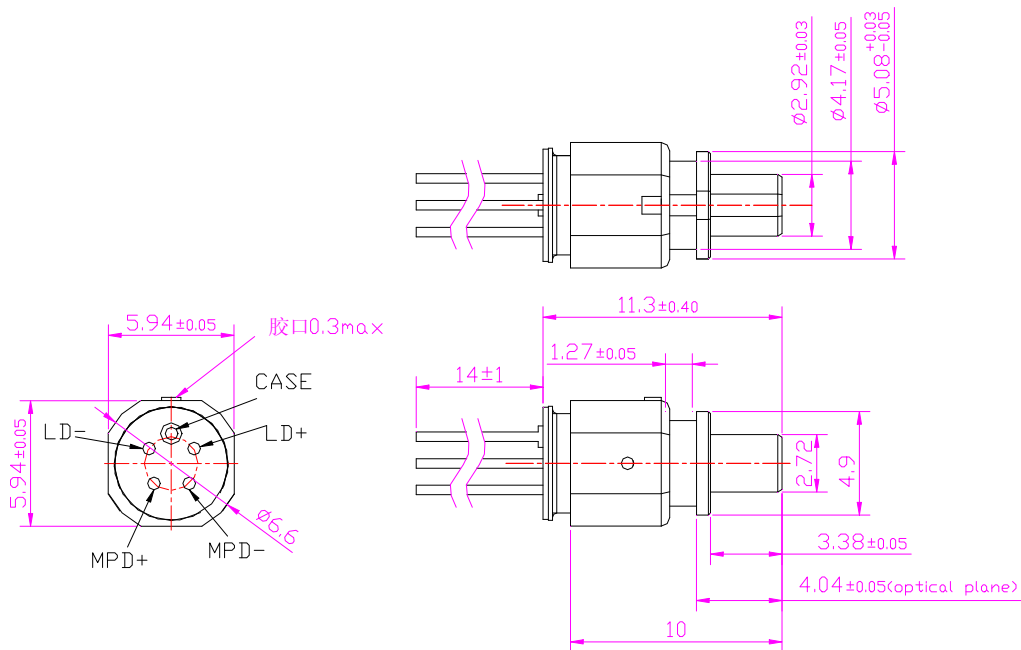
Parameter	Symbol	Min	Max	Unit
LD Reverse Voltage	$V_{r(LD)}$	--	5	V
LD Forward Current	$I_{f(LD)}$	--	12	mA
MPD Forward Current	$I_{f(MPD)}$	--	10	mA
MPD Reverse Voltage	$V_{r(MPD)}$	--	10	V
Operating Temperature	T_{op}	-10	85	°C
Storage Temperature	T_{stg}	-40	85	°C
Lead Solder Temperature	--	--	260	°C
Lead Soldering Time	--	--	10	s

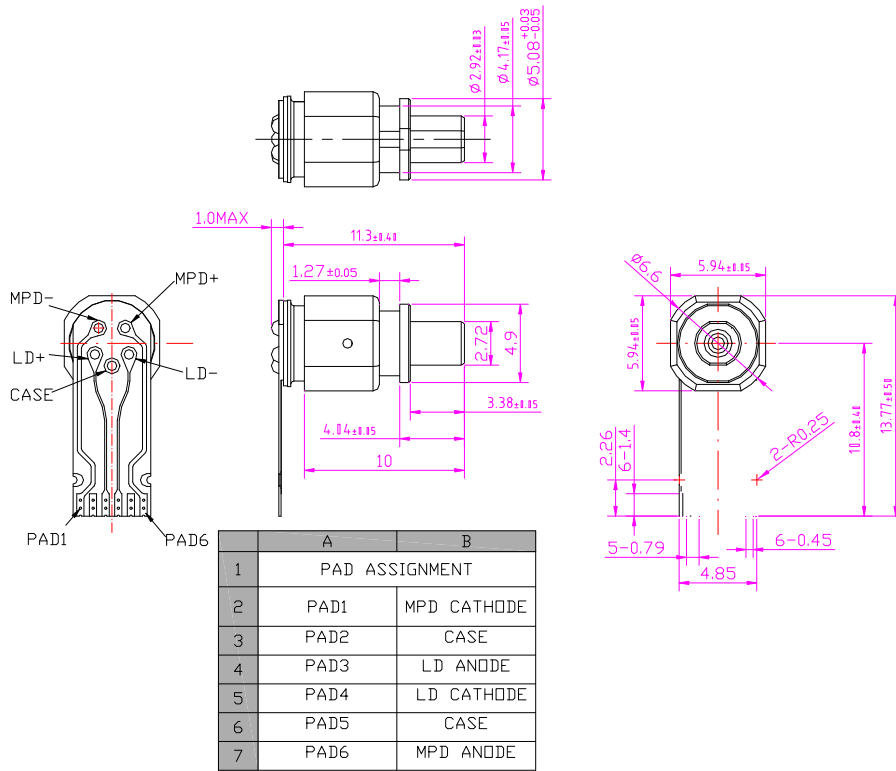


Spec (T=25 C, e e e ed)

Parameter	Symbol	Test Condition	M	T	Max	Unit
Threshold Current	I _{th}	--	--	1.0	1.5	mA
Forward Voltage	V _f	I _{op} =6.5mA	--	1.9	--	V
Monitor Current(MPD)	I _m	I _{op} =6.5mA	150	--	700	uA
Dark Current(MPD)	I _d	V _r =3.3V	--	--	20	nA
Optical Output Power	P _o	I _{op} =6.5mA, 50/125MMF Fiber	0.50	0.58	0.70	mW
Slope efficiency	SE		0.091	0.105	0.127	mW/mA
Central Wavelength	λ _c		830	850	860	nm
Spectral Width(RMS)	Δλ		--	--	0.45	nm
RiseTime	T _r	20~80%	--	30	40	ps
Fall Time	T _f		--	40	45	ps
Tracking Error	TE	-10°C~85°C	-1.0	--	+1.0	dB

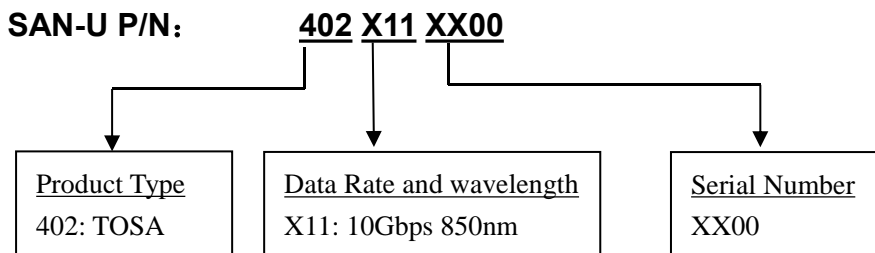
Mechanical Details:







O d e I f a :



S a e e :

SAN-U owns the authority for final explanation of all information contained in this document, which is subject to change without notice. All the information was obtained in particular environments; and SAN-U will not be responsible for the performance of the customers' actual operating environments. All information contained is only for the users' reference and shall not be considered as warranted characteristics. SAN-U will not be liable for damages arising directly or indirectly which from any use of the information contained in this document.

C a c I f a :

Address: N501-505 Weiye Bldg., Xiamen Pioneering Park For Overseas Chinese Scholars, Xiamen, Fujian, China

Tel: +86-592-3898601, 3898608, 5318000

Fax: +86-592-5703588

Email: sales@san-u.com

<http://www.san-u.com>