



10Gbps ROSA-LC

Features:

- LC Receptacle, with flexible circuit attached.
Single +3.3V Power Supply.
Suitable for long wavelength 10Gbps applications.
Differential Output.
Photo current monitoring available.
InGaAs PIN Detector and TIA inside.

Applications:

- 10G Fiber Channel.
SDH/SONET Transceivers up to 10Gbps.

Specifications:

Absolute Maximum Ratings

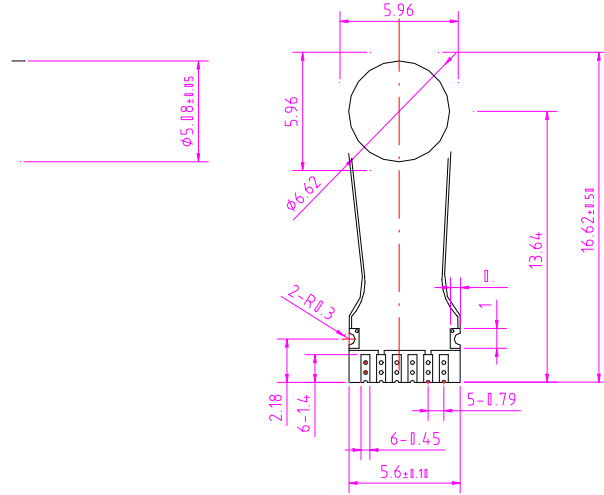
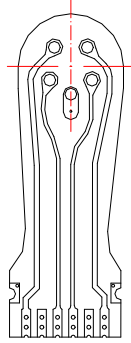
Parameter	Symbol	Min	Max	Unit
PD Forward Voltage	$V_{f(PD)}$	--	1.6	mA
Input optical power	P_{in}	--	3	dBm
Operating Temperature	T_{op}	-40	85	°C
Storage Temperature	T_{stg}	-40	100	°C
Lead Solder Temperature	--	--	260	°C
Lead Soldering Time	--	--	10	s

Specifications (T=25°C, unless otherwise noted)

Parameter	Symbol	Test Conditions	Min.	Typ.	Max.	Unit
Supply Voltage	V_{cc}	--	3.0	3.3	3.6	V
Supply Current	I_{cc}	$V_{cc}=3.3V$	--	--	35	mA
Operating Wavelength	λ_c	$V_{cc}=3.3V$	1100	--	1600	nm
RSSI Offset Current	I_d	$V_{cc}=3.3V$	--	--	100	nA
Overload	OL	$V_{cc}=3.3V$	1	--	--	dBm
Sensitivity	Sen	10.3125Gbps, PRBS31, 1310nm, ER=6dB, BER=10E-12	--	--	-17	dBm
Optical Return Loss	ORL	@1310nm	--	--	-13	dB



Mechanical Dimension and Pin Assignment:





Statement:

SAN-U owns the authority for final explanation of all information contained in this document, which is subject to change without notice. All the information was obtained in particular environments; and SAN-U will not be responsible for the performance of the customers' actual operating environments. All information contained is only for the users' reference and shall not be considered as warranted characteristics. SAN-U will not be liable for damages arising directly or indirectly which from any use of the information contained in this document.

Contact Information:

Address: N501-505 Weiye Bldg., Xiamen Pioneering Park For Overseas Chinese Scholars, Xiamen, Fujian, China

Tel: +86-592-3898601, 3898608, 5318000

Fax: +86-592-5703588

Email: sales@san-u.com

<http://www.san-u.com>
