



Bi-directional Optical Sub Assembly (BOSA)

Features:

- Designed for short or long reach application
- InGaAs PIN Photodiode
- Single +3.3V power Supply
- MQW FP Laser device

Specifications:

Absolute Maximum Ratings:

Parameter	Symbol	Min	Max.	Unit
LD Reverse Voltage	$V_{r(LD)}$	--	2	V
LD Forward Current	$I_{f(LD)}$	--	120	mA
PD Forward Current	$I_{f(PD)}$	--	2	mA
PD Reverse Voltage	$V_{r(PD)}$	--	20	V
Operating Temperature	Top	-40	85	°C
Storage Temperature	Tstg	-40	85	°C
Lead Solder Temperature	--	--	260	°C
Lead Soldering Time	--	--	10	s

Transmitter Optical& Electrical Characteristics (T=25°C):

Parameter	Symbol	Test Condition	Min	Typ	Max	Unit
Threshold Current	Ith	--	--	9	15	mA
Forward Voltage	Vf	Iop=21mA	--	1.3	1.6	V
Monitor Current(PD)	Im	Iop=21mA	100	--	1000	uA
Dark Current(PD)	Id	Vr=5V	--	--	10	nA
Optical Output Power	Po	Iop=21mA	0.17	--	0.40	mW
Slope efficiency	SE	Iop=21mA	0.014	--	0.033	mW/mA
Central Wavelength	λ_c	Iop=21mA	1290	1310	1330	nm
Spectral Width , -20dB	$\Delta\lambda$	Iop=21mA	--	--	3	nm
Tracking Error	TE	-40°C~85°C	-1.5	--	+1.5	dB



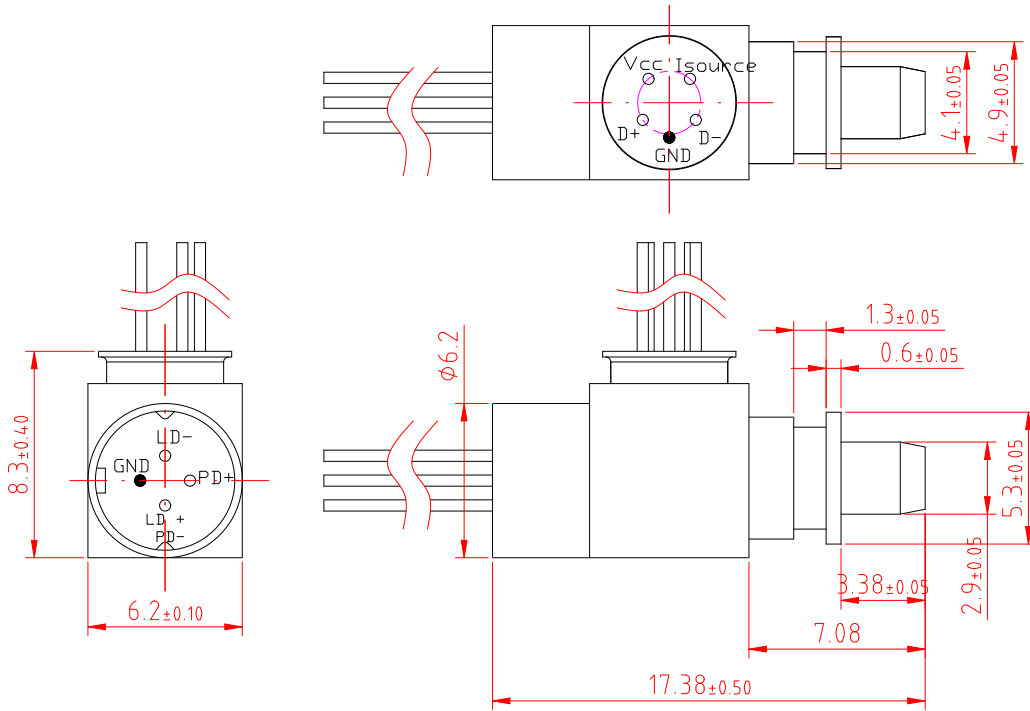
Receiver Optical/Electrical Characteristics:

Parameter	Symbol	Test Condition	Min	Typ	Max	Unit
Operating Voltage	Vcc	--	3.0	3.3	3.6	V
Supply current	Icc	Vcc=3.3V	23	25	26	mA
Operating Wavelength	λ_c	--	λ_c-20	λ_c	λ_c+20	nm
Sensitivity	Sen	1.25G, BER=10 ⁻¹⁰	--	-29	-27.5	dBm
Overload	OL	PRBS7, ER=10dB	0	--	--	dBm
Optical Crosstalk	Xtalk	--	--	-40	--	dB

Note: $\lambda_c=1490\text{nm};1550\text{nm}$.

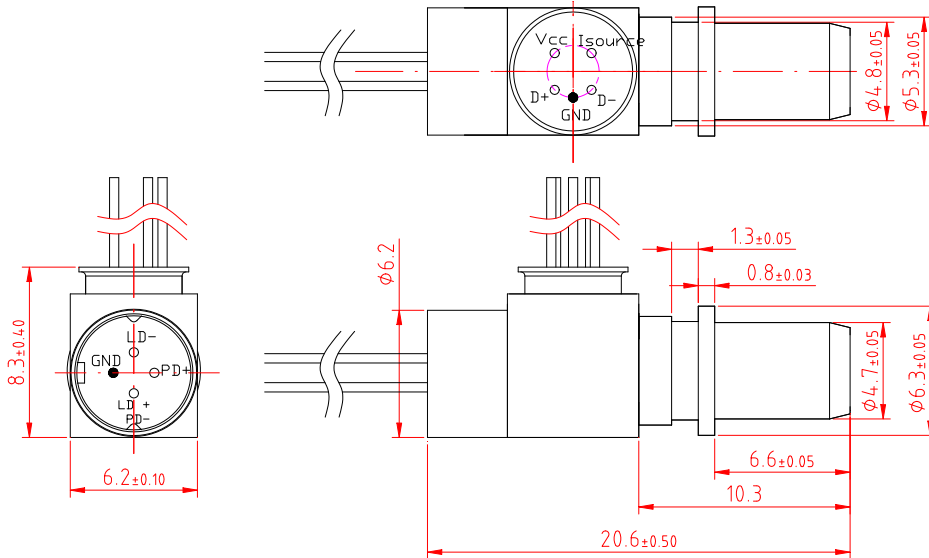
Outline Dimension and PIN Definitions:

LC Receptacle





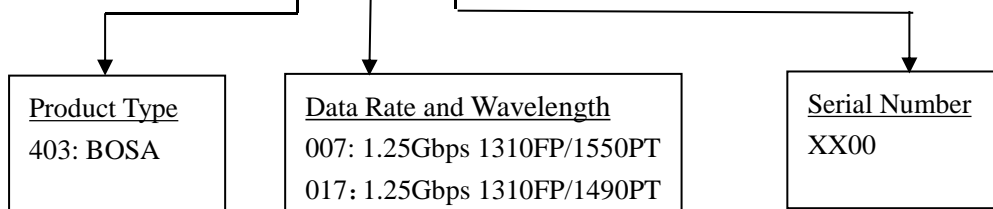
SC Receptacle



Order Information:

SAN-U P/N:

403 · 007 XX00



Statement:

SAN-U owns the authority for final explanation of all information contained in this document, which is subject to change without notice. All the information was obtained in particular environments; and SAN-U will not be responsible for the performance of the customers' actual operating environments. All information contained is only for the users' reference and shall not be considered as warranted characteristics. SAN-U will not be liable for damages arising directly or indirectly which from any use of the information contained in this document.

Contact Information:

Address: N501-505 Weiye Bldg., Xiamen Pioneering Park For Overseas Chinese Scholars, Xiamen, Fujian, China

Tel: +86-592-3898601, 3898608, 5318000

Fax: +86-592-5703588

Email: sales@san-u.com

<http://www.san-u.com>