

件 : SU-01-19-A-07-A50B

: 01

: 2018.11.02

1 共 2

10G 850nm VCSEL LD TO-CAN Series

Features:

Data rate 10 Gb/s
 850 nm wavelength
 Lead height 2.6 mm

Applications:

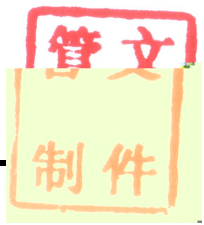
High speed Data Center
 10Gigabit Ethernet

Specifications:

Parameter	Symbol	Min	Typ	Max	Unit
Reverse Voltage	V_R	—	5	—	V
Forward Current	I_F	—	12	—	A
MPD Reverse Voltage	V	20	—	—	V
MPD Forward Current	V_f	—	10	—	A
Operating Temperature	T	-5	+70	—	°C
Storage Temperature	T _g	-40	+85	—	°C
Lead Solder Temperature	—	—	260	—	°C
Lead Solder Time	—	—	10	—	

: (°C)

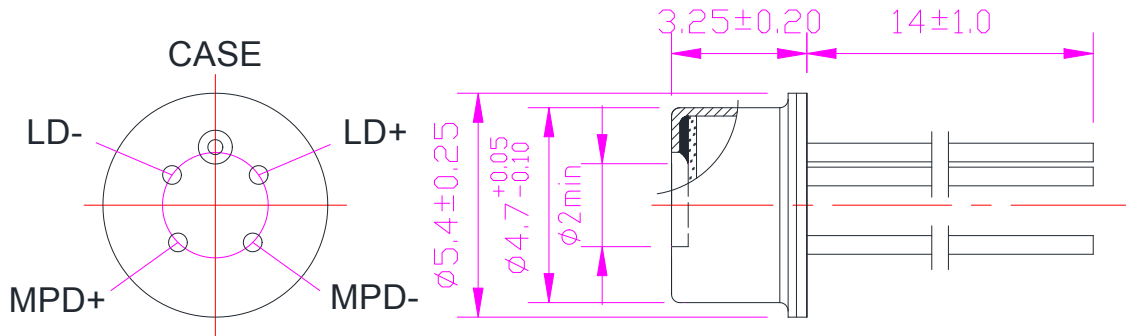
Parameter	Symbol	Min	Typ	Max	Unit
Threshold Current	I_{th}	—	0.8	1.2	A
Optical Output Power	P	$I = 6.5 \text{ A}$	0.85	1.0	W
Optical Voltage	V	$I = 6.5 \text{ A}$	—	1.9	V
Emission Wavelength	λ	$I = 6.5 \text{ A}$	840	850	860
Spectral Bandwidth, RMS	$\Delta\lambda$	$I = 6.5 \text{ A}$	—	—	0.4
Spectral Efficiency	η	$I = 6.5 \text{ A}$	0.15	0.17	W/A
Differential Resistance	R_d	$I = 6.5 \text{ A}$	—	95	—
Rise Time	—	$I = 6.5 \text{ A}, 20\text{-}80\%$	—	30	40
Fall Time	f		—	40	45
Micro Current (MPD)	I	$I = 6.5 \text{ A}, V_R=3\text{V}$	150	—	—



件 : SU-01-19-A-07-A50B : 01 : 2018.11.02 2 共2

Da k C e (MPD)	Id	P c=0 W, V _R =3V	—	—	20	A
----------------	----	-----------------------------	---	---	----	---

Mechanical Dimension and Pin Assignment:



BOTTOM VIEW

Order Information:

LD 850nm VCSEL	<input type="checkbox"/>	<input type="checkbox"/>	<input type="checkbox"/>	<input type="checkbox"/>
<u>Da a a e :</u> 10Gb/	<u>Heade T e:</u> TO46	<u>N be fPi :</u> 5 i A	<u>Ca T e:</u> FW: Fa Wi d	

SAN-U he a h i f f i a e a a i f a i Af ai c ai edi hi d c e , hich i
bjec cha ge ih ice. A he i f ai a bai edi a ic a e i A e ; a d
SAN-U i be e ibef he Af a ce f k ec e ac a ea i ge i Ae . A
i f ai c ai edi f he e ' ef e ce a d ha be c ide ed a a a ed
cha ac e i c . SAN-U i be iab ef da age a i i g di ec i di ec hich f a e f
he i f ai c ai edi hi d c e .

Add e : N501-505 Wei e B dg., Xia e Pi ee i g Pa k F O e ea Chi e e Sch a , Xia e , F jia , Chi a

Te : +86-592-3898601, 3898608, 5318000

Fa : +86-592-5703588

E ai : a e @ a - .c

[h :// . a - .c A](http://www.san-u.com)