

25Gbps 850nm PIN-TIA TO-CAN Series

Features:

- Data rates up to 25 Gbps.
- 850nm multimode.
- Single +3.3V Power Supply.
- -40°C to 85°C Operation.
- Received signal strength indicator(RSSI).

Applications:

- High speed Data Communication.

Specifications:

Absolute Maximum Ratings:

Parameter	Symbol	Min.	Max.	Unit
Optical Input Power	P_{in}	—	5	dBm
Operating Temperature	Top	-40	+85	°C
Storage Temperature	Tstg	-40	+85	°C
Lead Solder Temperature	—	—	260	°C
Lead Solder Time	—	—	10	s

Characteristics: (Ta=25°C unless otherwise noted)

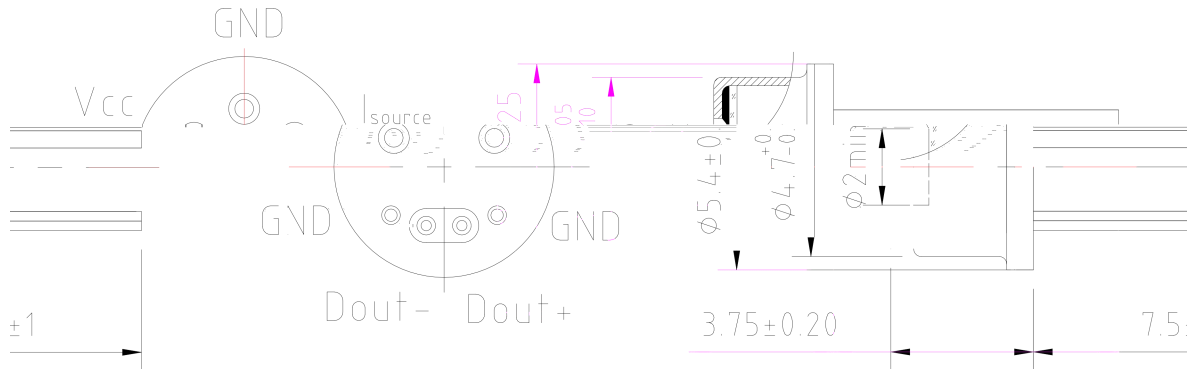
Parameter	Symbol	Test Conditions	Min.	Typ.	Max.	Unit
Supply Voltage	Vcc	—	2.97	3.3	3.63	V
Supply Current	Icc	Vcc=3.3V	—	26	33	mA
Wavelength Range	λ	Vcc=3.3V	820	850	860	nm
RSSI Dark Current	Id	Vcc=3.3V	—	—	100	nA
Bandwidth	BW	-3dB	--	21	—	GHz
Overload	OL	Vcc=3.3V	-3	—	—	dBm
Sensitivity	Sen	25.78Gbps,PRBS31 850nm,ER=4dB, BER=10E-12	—	—	-9	dBm

Key Materials:



Materials	Part Number
PIN PD	0001020227
TIA	0000090126

Mechanical Dimension and Pin Assignment:



Order Information:

PT25G 850



Header Type:
TO46

Cap Type:
FW: Flat Window

Numbers of Pin:
7pin

Statement:

SAN-U owns the authority for final explanation of all information contained in this document, which is subject to change without notice. All the information was obtained in particular environments; and SAN-U will not be responsible for the performance of the customers' actual operating environments. All information contained is only for the users' reference and shall not be considered as warranted characteristics. SAN-U will not be liable for damages arising directly or indirectly which from any use of the information contained in this document.

Contact Information:

Address: N501-505 Weiye Bldg., Xiamen Pioneering Park For Overseas Chinese Scholars, Xiamen, Fujian, China



厦门三优光电股份有限公司

XIAMEN SAN-U OPTRONICS CO., LTD.

文件编号: SU-01-19-A-07-A89H

版本: 01

实施日期: 2018.11.05

第 3 共 3

Tel: +86-592-3898601, 3898608, 5318000

Fax: +86-592-5703588

Email: sales@san-u.com

<http://www.san-u.com>