



TOSA-LC 25Gbps 850nm with Flex

Features:

D 25 G
 850
 0°C +70°C
 D
 L
 H
 I (MPD).
 LC

Applications:

H D C

Specifications:

Absolute Maximum Ratings

Parameter	Symbol	Min	Max.	Unit
LDR V	$V_{(LD)}$	--	5	V
LD F C	$I_{(LD)}$	--	12	A
MPD F C	$I_{(MPD)}$	--	10	A
MPD R V	$V_{(MPD)}$	--	10	V
O T	T	0	70	°C
S T	T	-40	85	°C
L S T	--	--	260	°C
L S T	--	--	10	

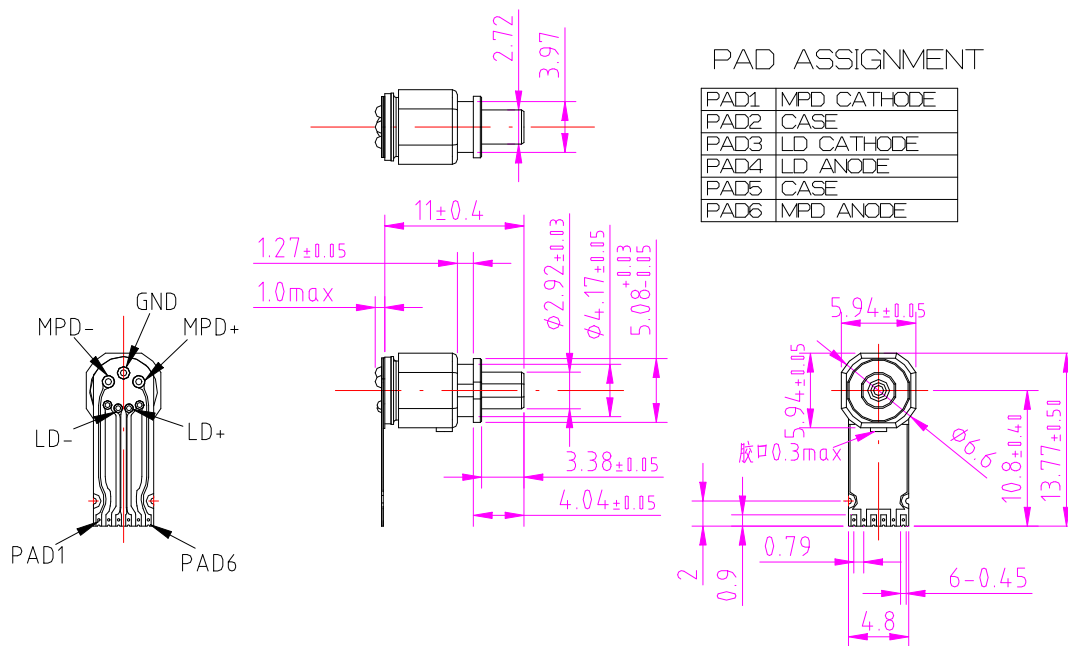
Specifications (T=25°C, unless otherwise noted)

Parameter	Symbol	Test Condition	Min	Typ	Max	Unit
T C	I	--	--	0.7	0.9	A
F V	V	$I = 6.5 \text{ A}$	--	2.1	--	V
S R	R	$I = 6.5 \text{ A}$	--	100	--	
M C (MPD)	I	$I = 6.5 \text{ A}$	100	--	800	A
D C (MPD)	I	$V = 3.3\text{V}$	--	--	20	A
B	BW	$I = 6.5 \text{ A}, -3 \text{ B}$	13	--	--	GH
O O P	P	$I = 6.5 \text{ A}$,	0.63	0.81	1.00	W
S	SE	50/125 MMF	0.109	0.141	0.172	W/ A
C W		$I = 6.5 \text{ A}$	840	850	860	
S W		$I = 6.5 \text{ A}, \text{RMS}$	--	--	0.8	



T	E	TE	0°C 70°C	-1.5	--	+1.5	B
---	---	----	----------	------	----	------	---

Mechanical Dimension and Pin Assignment:



Order Information:

SAN-U P/N:

402 012 0700

P	T
402: TOSA	

D	R
012: 25G	850

S	N
0700	

Statement:



文件编号: SU-01-19-A-07-B73D

版本: 04

实施日期: 2018.01.12

第3页 共3页

SAN-U

. A

; SAN-U

. A

. SAN-U

Contact Information:

A : N501-505 W B ., P P F O C S ,
, F , C

T : +86-592-3898601, 3898608, 5318000

F : +86-592-5703588

E : @ - .

:// . - .