

ROSA LC 1250 1310nm

Features:

- Single +3.3V Power Supply
- High Sensitivity
- Differential Output
- InGaAs PIN Detector and TIA inside
- Plastic LC Receptacle

Applications:

- Digital Optical Communication
- Optical LAN

Specifications:

Absolute Maximum Ratings

Parameter	Symbol	Min	Max	Unit
Operating Temperature	Tc	-40	85	
Storage Temperature	Ts	-40	85	
Input optical power	Pin	--	3	dBm
Lead Solder Temperature		--	260	
Lead Soldering Time		--	10	S

Specifications (T=25°C, unless otherwise noted)

Parameter	Symbol	Conditions	Min.	Typ.	Max.	Unit
Supply Voltage	Vcc	--	2.97	3.3	3.63	V
Supply Current	Icc	Vcc=3.3V	23	25	26	mA
Wavelength Range	λ	--	900	--	1650	nm
Differential Output Voltage	V _d	Vcc=3.3V	--	275	500	mV
Output Impedance	R _{out}	Single ended	40	50	60	Ω
Saturation Power	Psat	1.25Gbps,PRBS7, 1310nm,ER=10dB	0	--	--	dBm
Bandwidth	BW	--	750	840	930	MHz
Sensitivity	Sen	1.25Gbps,PRBS7, 1310nm,ER=10dB, BER=10E-10	--	-29	-26	dBm



厦门三优光电股份有限公司

XIAMEN SAN-U OPTRONICS CO., LTD.

SU-01-19-A-07-B83D

05

2017.07.03

2

3_

Pin Description:

Type A

Type B



BOTTOM VIEW

Outline:

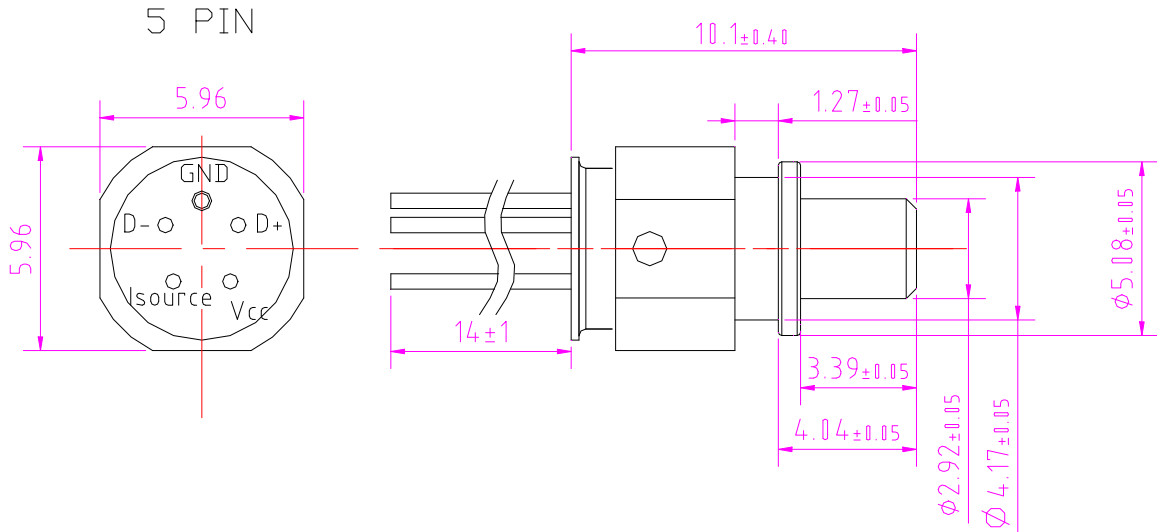
Address: N501-505 Weiye Bldg., Xiamen Pioneering Park For Overseas Chinese Scholars, Xiamen, Fujian, China

<http://www.san-u.com>

Tel: +86-592-3898601

Fax: +86-592-5703588

Email: sales@san-u.com



Order Information:

RX1250



LC

Pin Out
A: Type A
B: Type B
C: Type C
D: Type D
E: Type E

Statement

SAN-U owns the authority for final explanation of all information contained in this document, which is subject to change without notice. All the information was obtained in particular environments; and SAN-U will not be responsible for the performance of the customers' actual operating environments. All information contained is only for the users' reference and shall not be considered as warranted characteristics. SAN-U will not be liable for damages arising directly or indirectly which from any use of the information contained in this document.